



# INSTALLATION INSTRUCTIONS

Accessory

CHROME LIGHT BAR  
P/N 08V31-MEG-100

Application

VT750C

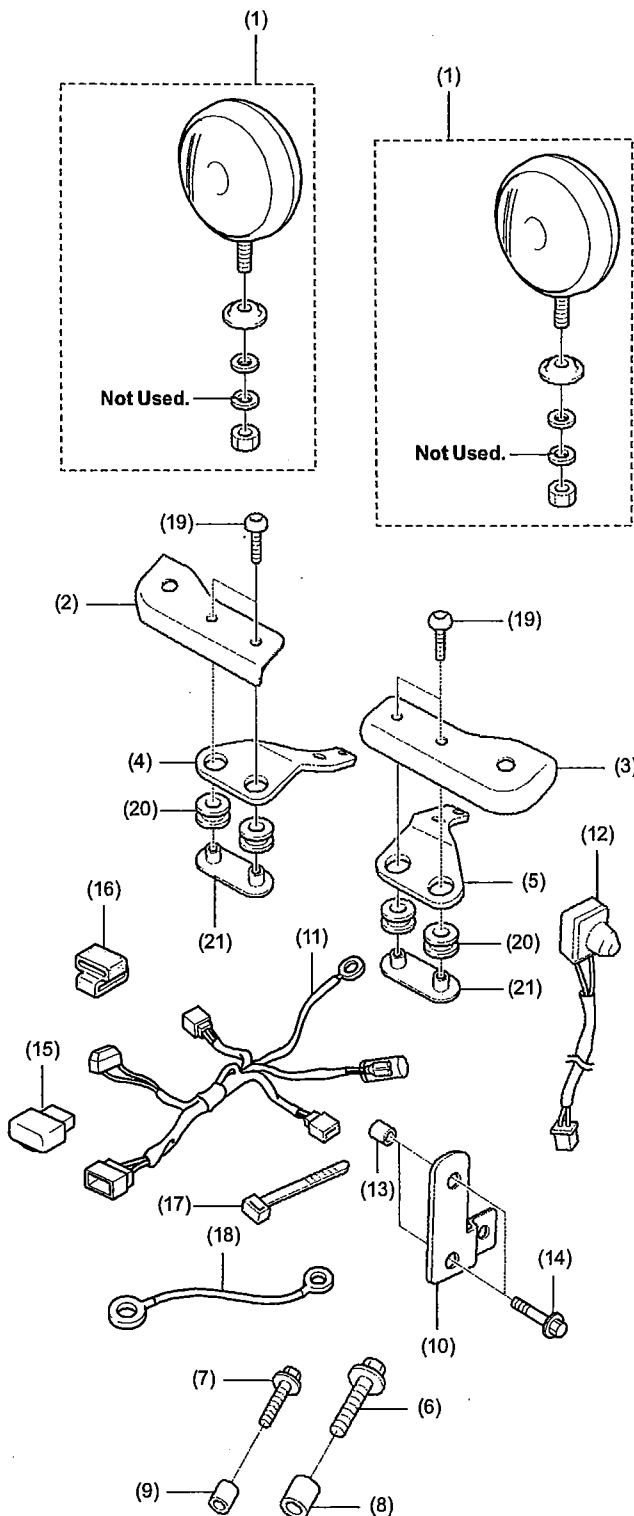
Publications No.  
MII 10254

Issue Date

August 2003

Honda Dealer: Please give a copy of these instructions to your customer.

## PARTS LIST



| No.  | Description                 | Qty |
|------|-----------------------------|-----|
| (1)  | Light                       | 2   |
| (2)  | Right light base plate      | 1   |
| (3)  | Left light base plate       | 1   |
| (4)  | Right light stay            | 1   |
| (5)  | Left light stay             | 1   |
| (6)  | 8 mm flange bolt            | 2   |
| (7)  | 6 mm SH flange bolt (long)  | 2   |
| (8)  | Collar (large)              | 2   |
| (9)  | Collar (small)              | 2   |
| (10) | Switch bracket              | 1   |
| (11) | Sub-harness                 | 1   |
| (12) | Light switch                | 1   |
| (13) | Collar (short)              | 2   |
| (14) | 6 mm SH flange bolt (short) | 2   |
| (15) | Relay comp.                 | 1   |
| (16) | Suspension                  | 1   |
| (17) | Wire tie                    | 5   |
| (18) | Ground harness              | 2   |
| (19) | 6 mm screw                  | 4   |
| (20) | Cushion                     | 4   |
| (21) | Plate                       | 2   |

## TOOLS REQUIRED

Socket (8 and 12 mm)  
 Ratchet  
 Box-end wrench (8, 12 and 14 mm)  
 Hex wrench (5 mm)  
 Torque wrench

## TORQUE CHART

Tighten all screws, bolts and nuts to their specified torques. Refer to the Service Manual for the tightening torques of removed parts.

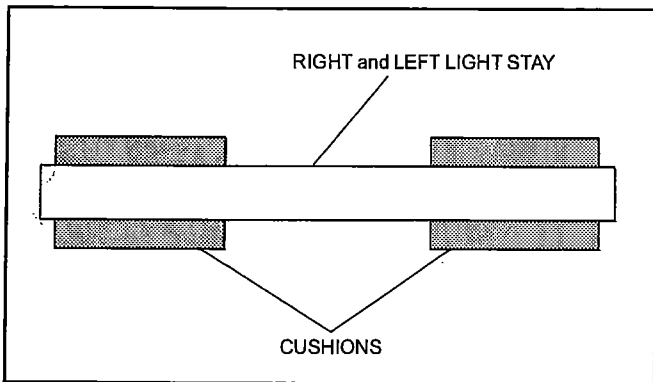
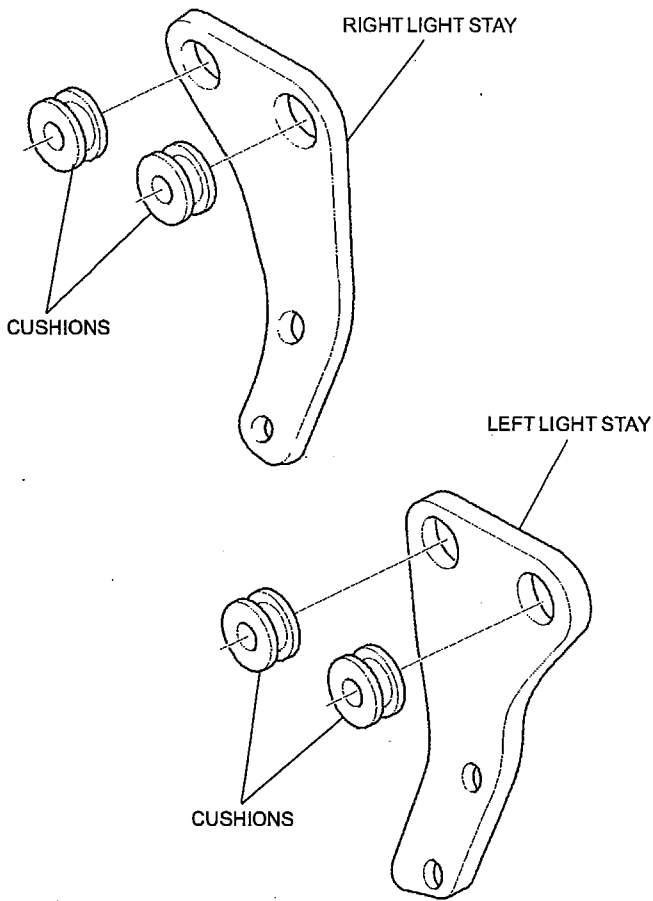
| Item                | N·m | kgf·m | lbf·ft |
|---------------------|-----|-------|--------|
| 6 mm screw          | 9   | 0.9   | 6.5    |
| 6 mm SH flange bolt | 9   | 0.9   | 6.5    |
| 8 mm flange bolt    | 26  | 2.7   | 20     |

## USE AND CARE INFORMATION

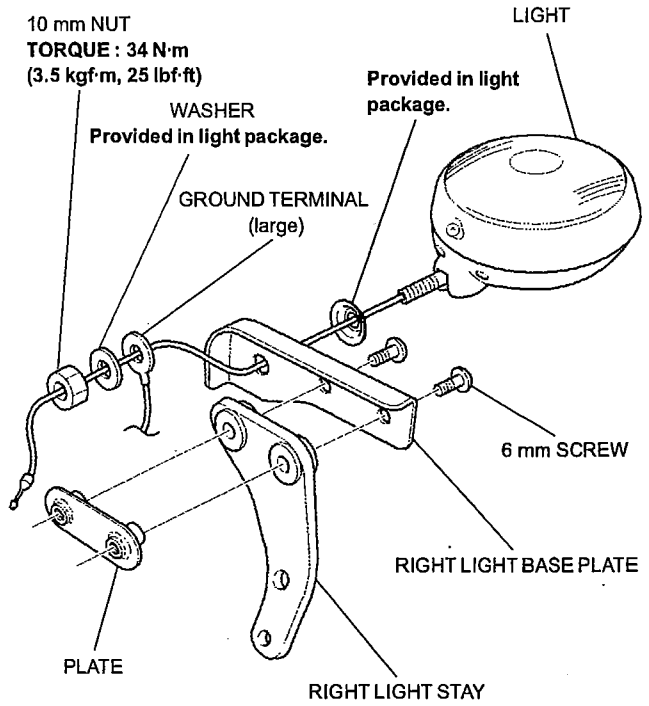
- Check the flange bolts periodically for the proper torque.

## INSTALLATION

2. Install the cushions on the right and left light stays.

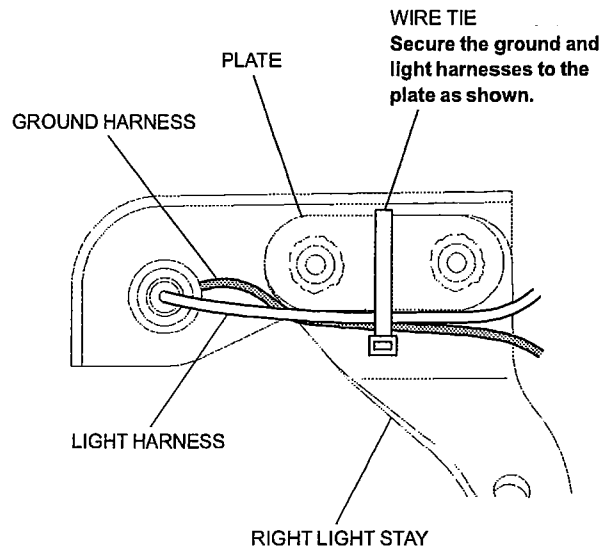


3. Install the right light stay on the light as shown.



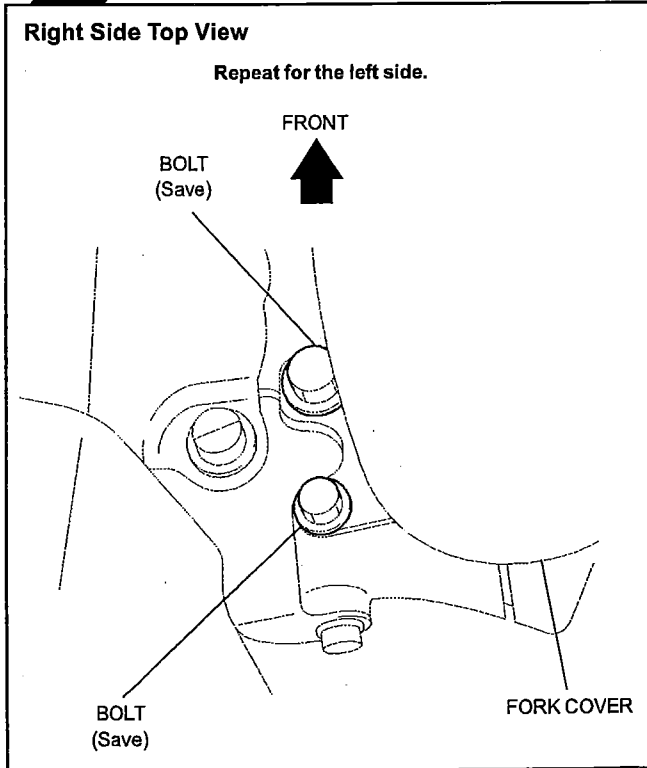
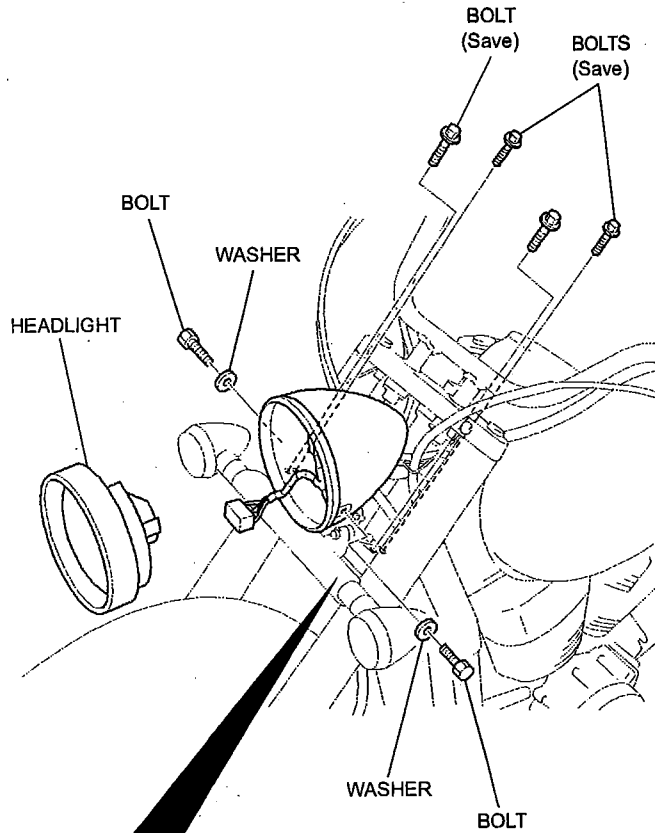
### Bottom View

Route the ground harness as shown when installing the right light stay.

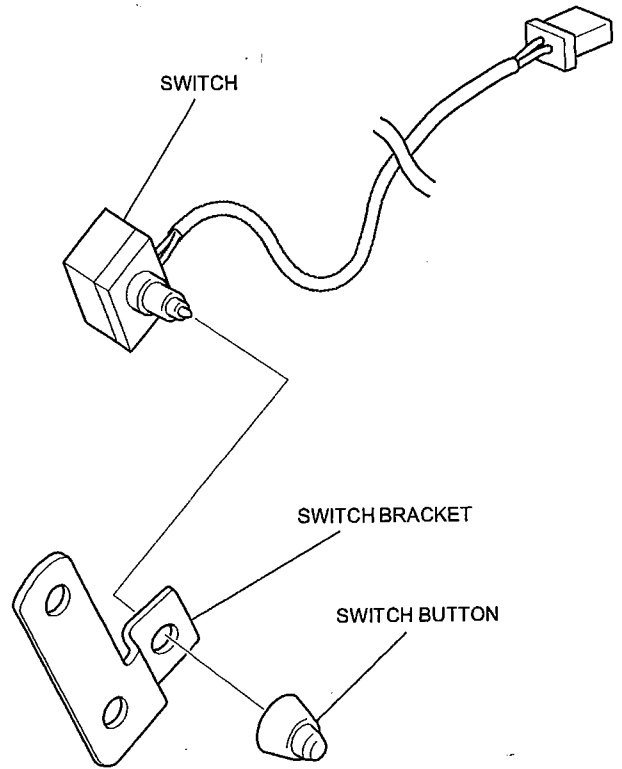


4. Repeat on the left side.

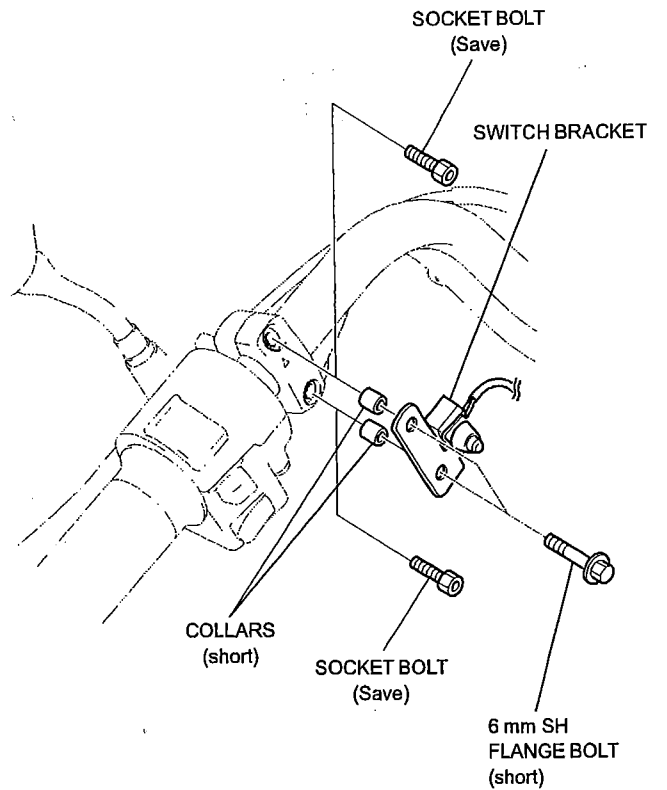
5. Remove the parts from the motorcycle as shown.



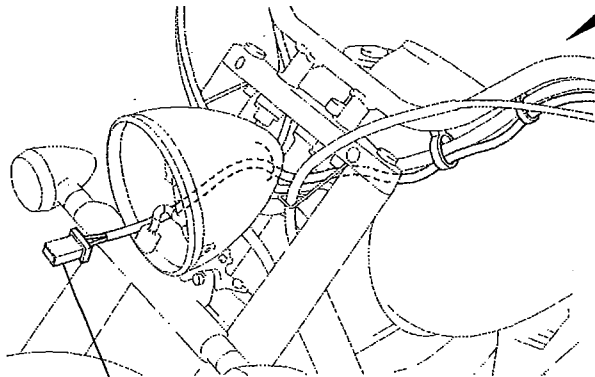
6. Install the switch.



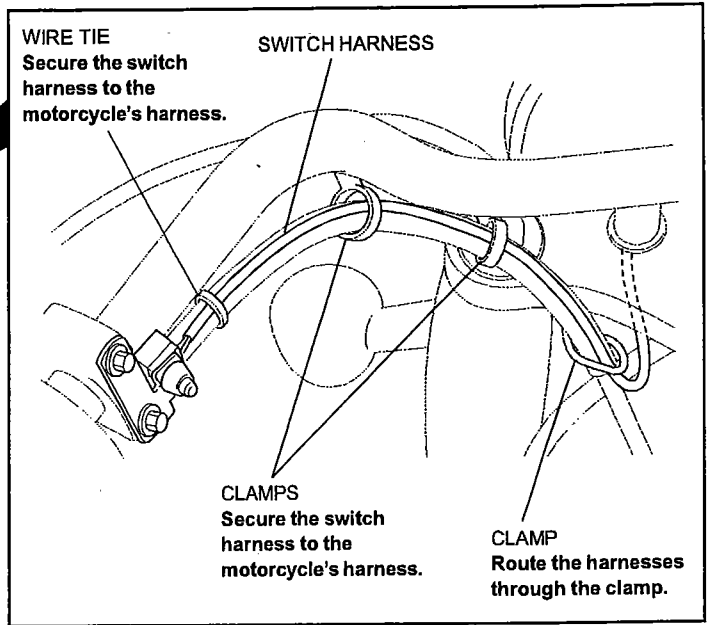
7. Install the switch bracket as described.



8. Route the switch harness along the handlebar into the headlight case, then secure the switch harness to the motorcycle's harness by using the motorcycle clamps as shown.



SWITCH HARNESS  
Route through the headlight case.



WIRE TIE  
Secure the switch harness to the motorcycle's harness.

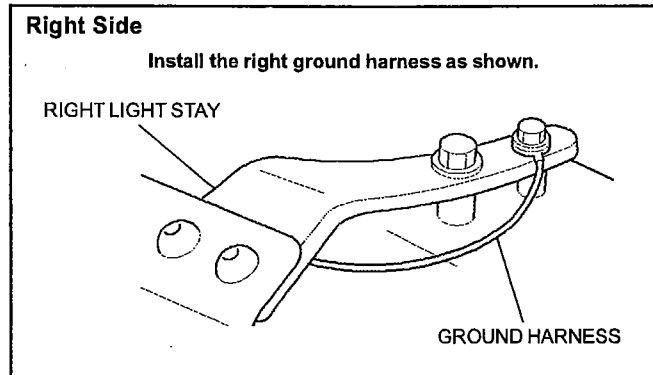
SWITCH HARNESS

CLAMPS  
Secure the switch harness to the motorcycle's harness.

CLAMP  
Route the harnesses through the clamp.

9. Install the right and left lights.

- Take care not to pinch the harness.

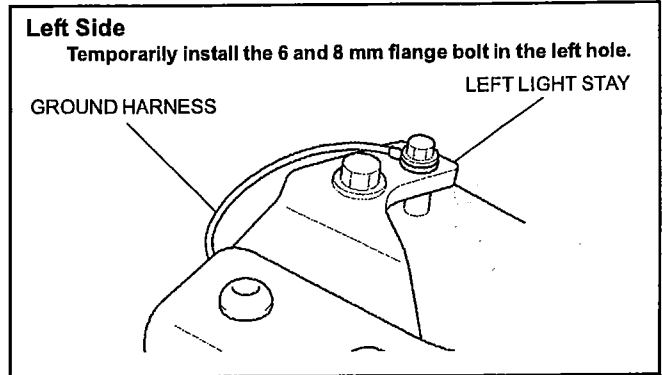


Right Side

Install the right ground harness as shown.

RIGHT LIGHT STAY

GROUND HARNESS

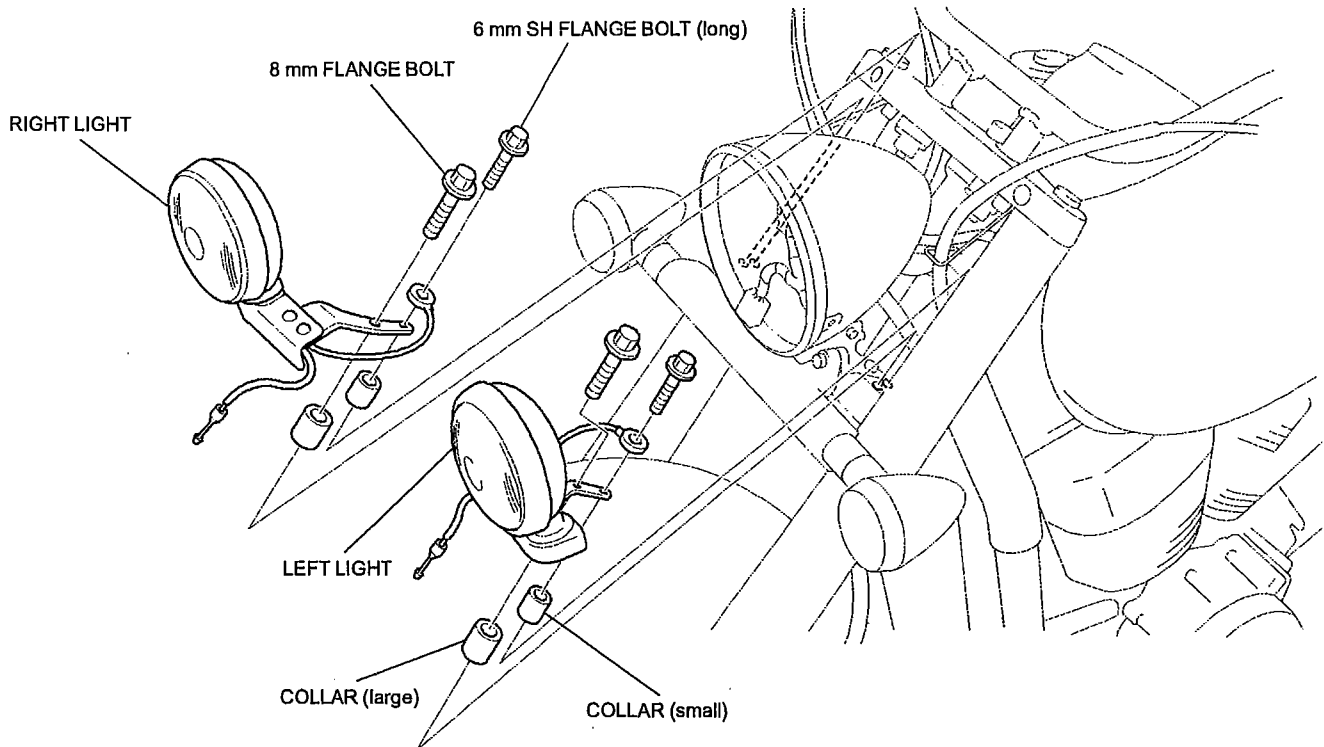


Left Side

Temporarily install the 6 and 8 mm flange bolt in the left hole.

GROUND HARNESS

LEFT LIGHT STAY



6 mm SH FLANGE BOLT (long)

8 mm FLANGE BOLT

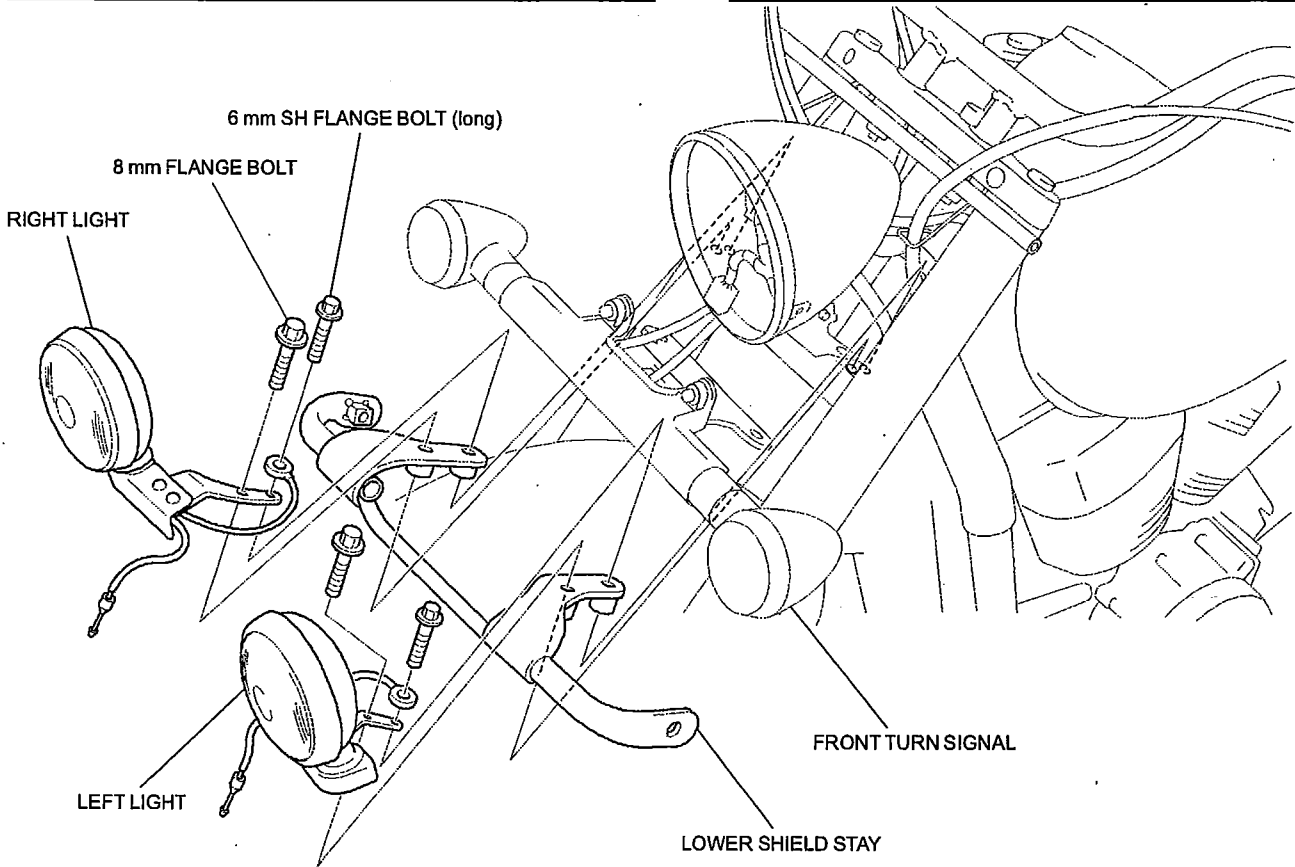
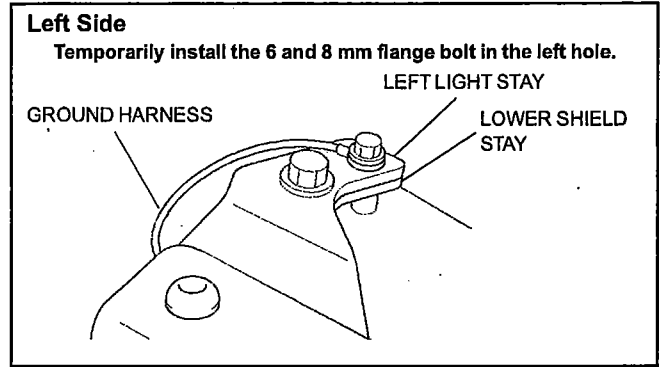
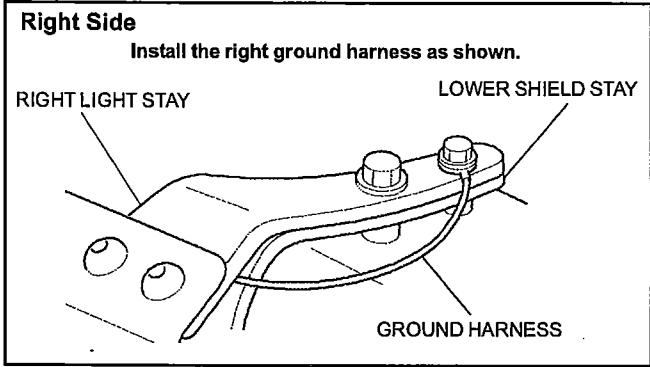
RIGHT LIGHT

LEFT LIGHT

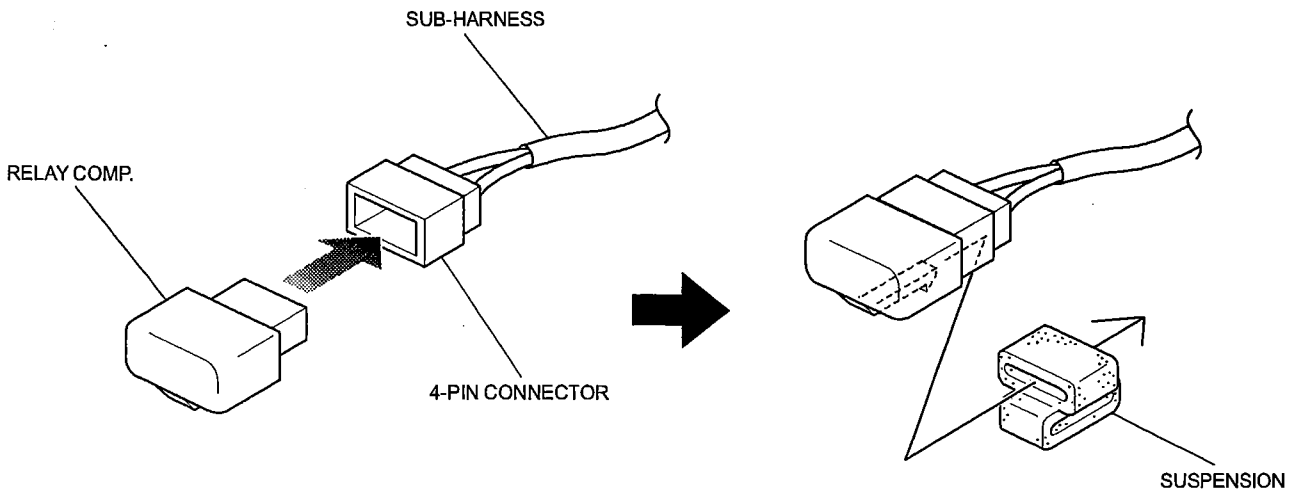
COLLAR (large)

COLLAR (small)

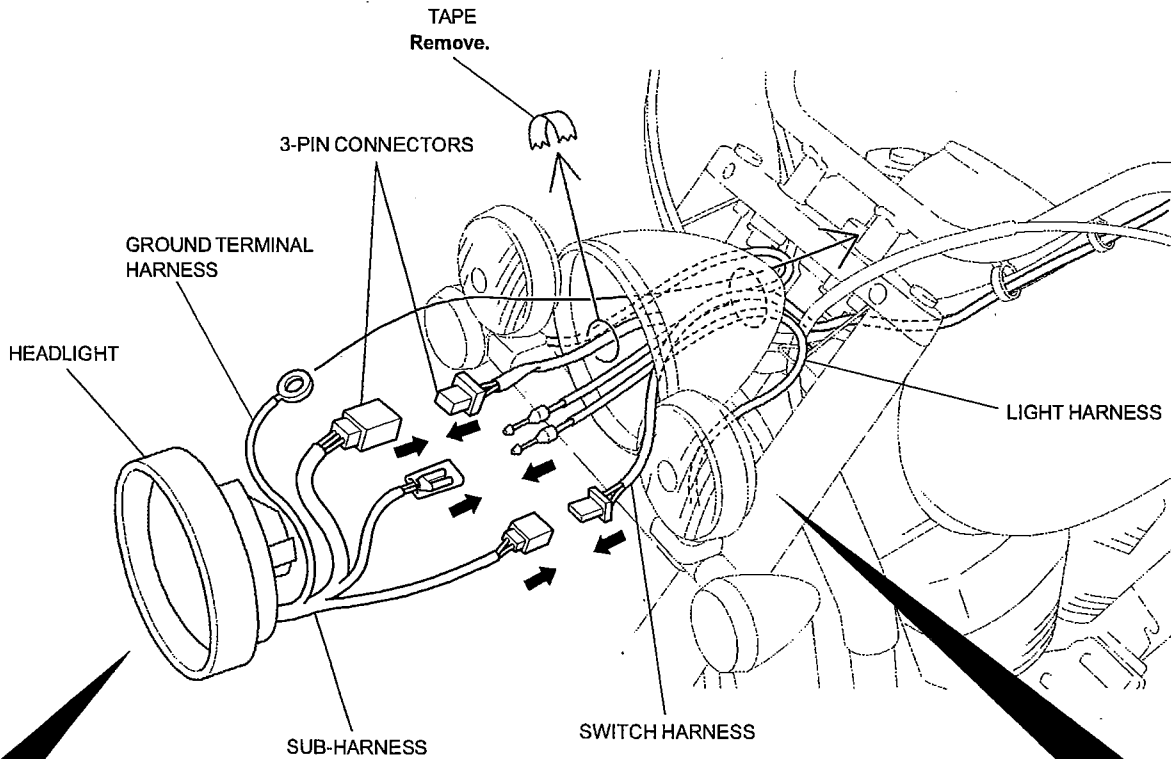
When you are also installing the windshield.



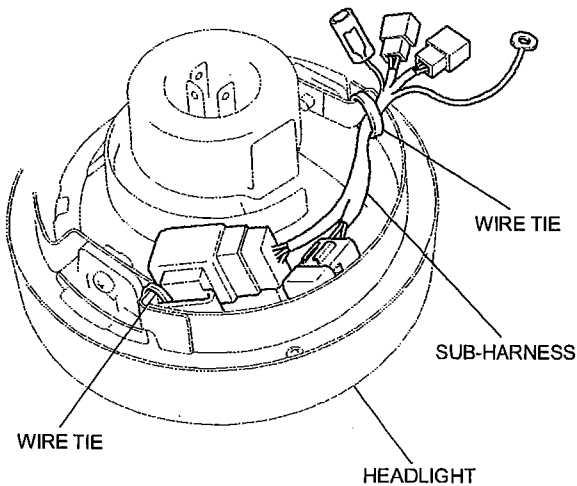
10. Plug the relay into the 4-pin connector of the sub-harness, then slide the suspension onto the relay as shown.



11. Connect the connectors of the sub-harness as shown.

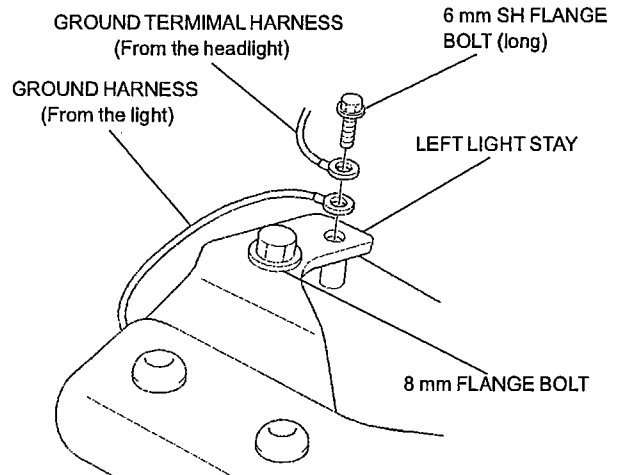


Secure the sub-harness to the back of the headlight with the wire ties in the areas shown.



Left Side

Install the ground terminal and tighten bolt securely.



12. Reinstall all removed parts in the reverse order of removal.

### Operating the Accessory Lights

- Turn the key switch to the "ON" position.
- Press the accessory light switch.

Note: Light bar operates only when the headlight dimmer switch is in the low (LO) beam position.

- If the accessory lights don't come on, check the fuse, the connectors, and the switch connections.

### SPECIFICATION

Halogen fog light: H3 bulb 12V-25 W

Mini Fuse: 7.5 Amps